

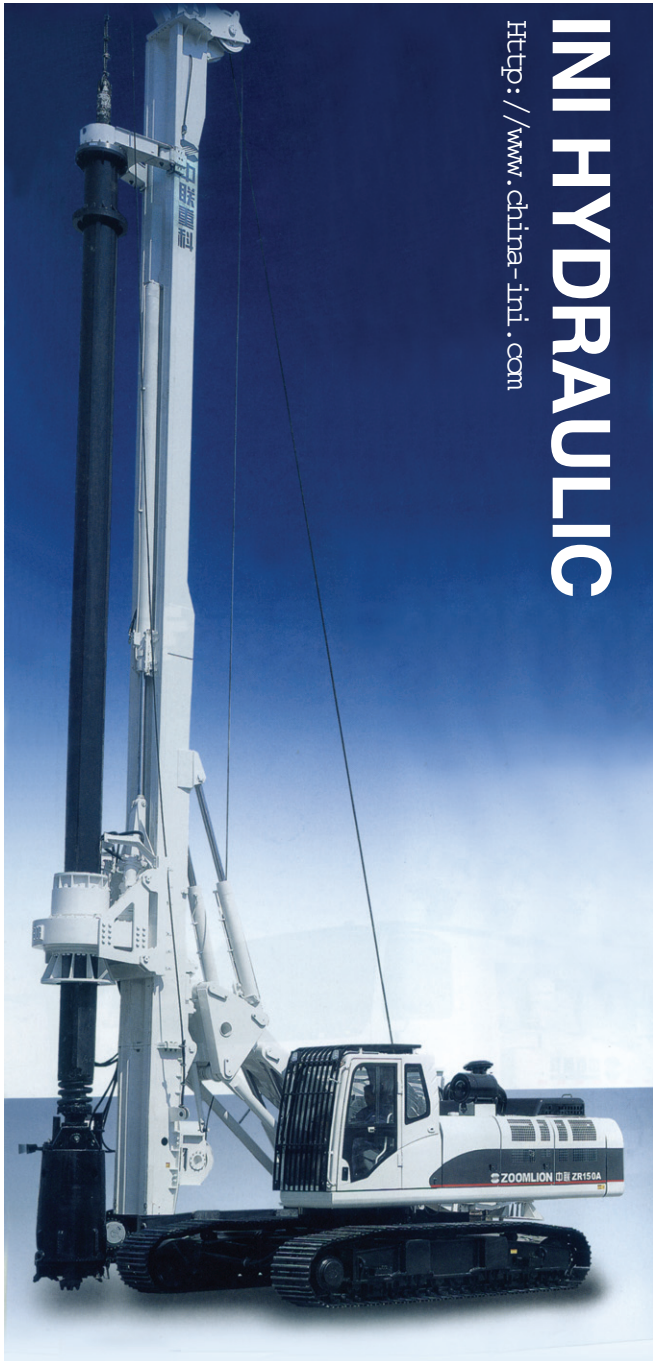
***ini***<sup>®</sup> NINGBO DAGANG INI  
HYDRAULIC CO.,LTD.



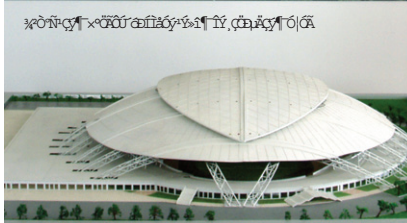
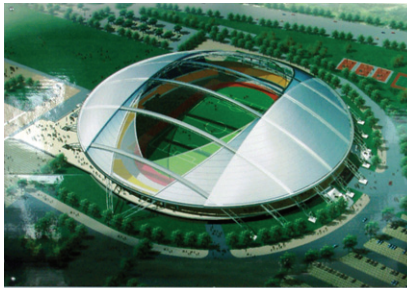
>>> [Http: //www.china-ini.com](http://www.china-ini.com)

**2010** Catalogue

# Product Shows & Applications

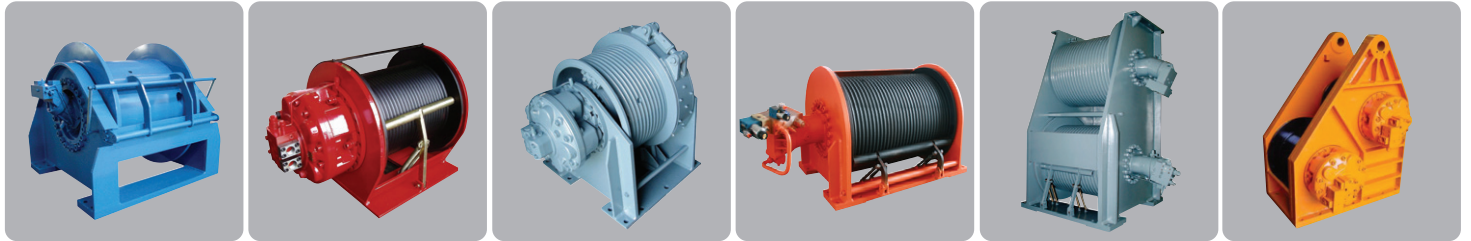


INI HYDRAULIC  
[Http://www.china-ini.com](http://www.china-ini.com)

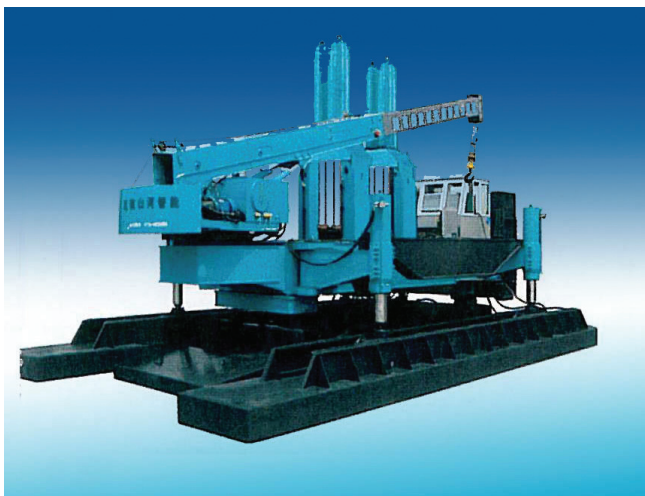




# Product Shows & Applications



INI HYDRAULIC  
[Http://www.china-ini.com](http://www.china-ini.com)







# Brief Introduction



NINGBO DAGANG INI HYDRAULIC CO., LTD is situated in a state-level economic and technological development zone of BEILUN district, NINGBO. The factory covers almost 40,000 m<sup>2</sup>, with 38,000 m<sup>2</sup> building area. The registered capital is 6,500,000 USD, and the total investment is 15,000,000 USD. Currently, the company is staffed with 400 employees, 20% among whom are professional technicians. The company has a strong R&D team, led by the general manager—a professorate senior engineer, who takes special allowance from State Council. The team also includes one doctor, two masters, senior engineers, engineers and engineer trainees, and two retired German experts from ZF GROUP as honor employees. They will come to the factory to help and give advices once a year. Up to now, the company owns eight invention patents and thirty practical innovation and figure patents. Several other patents are under reviewing. The company is specialized in manufacturing of electro-hydraulic proportional valves, hydraulic motors, hydrostatic drives, hydraulic winches, planetary gearboxes, high accuracy rotary flow dividers and the whole set of hydraulic system. These patent products are widely used in engineering machinery, petroleum, mining industry, geological exploration, ships, metallurgy, light industry, agriculture, landscape, environment and military industry. Now we are stepping into the international market, and our products are being exported to Southeast Asia, Middle East, Germany, USA, Netherlands, Turkey, India, Russia, Korea and other countries and regions around the world.

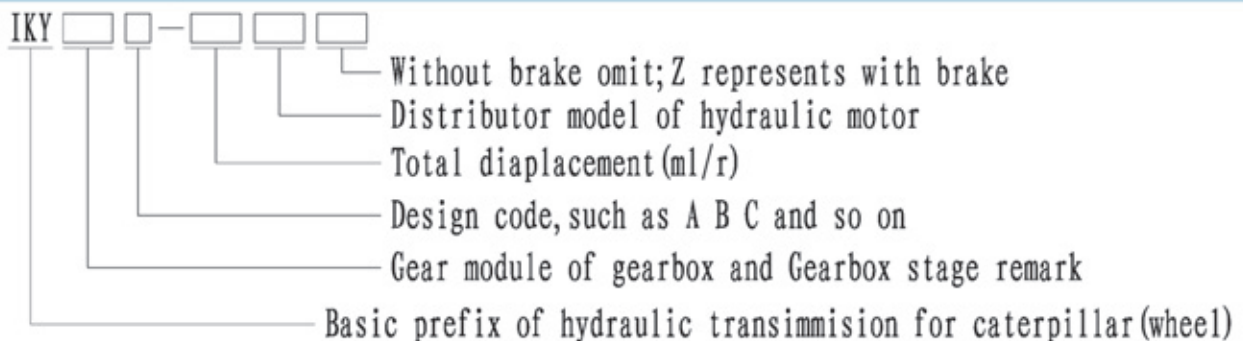
The company has more than 150 advanced manufacturing equipment, half of which were imported. 60% of all the machines are CNC, including three-dimension coordinate measuring machine, universal gear measuring machine, digital ultrasonic inspection machine, and universal tool microscope. A static hydrostatic drives lab and 12 factory test stands were established for product testing. The company passed ISO 9001 quality system certification, CCS certification and CE certification. The annual sales volume reaches 250 million RMB, with a production capacity of over 300 million RMB. The company was appraised as a state-level high-tech enterprise and is a patent pioneer enterprise.

## IKY Series Hydraulic Transmission For Caterpillar (Wheel)

### 1、Brief introduction

IKY series hydraulic transmission for caterpillar (wheel) consist of a variety of valve block with the function of brake, hydraulic motor, one or two level planetary gearbox. a number of excellent features distinguish from other similar products in design: high efficiency of startup and operation, high reliability, the revolved casing as output can directly connect with the chain wheel of caterpillar drive. Due to the small axial dimension, the hydraulic transmission can be set inside of wheel or caterpillar. They not only improve the trafficability of the motion machine, but also make the figure compact and elegant. So they have been widely applied in construction vehicle, track wheel, caterpillar excavator, caterpillar motion drive mechanism of a variety of drillers and caterpillar mining machine.

### 2、Model options

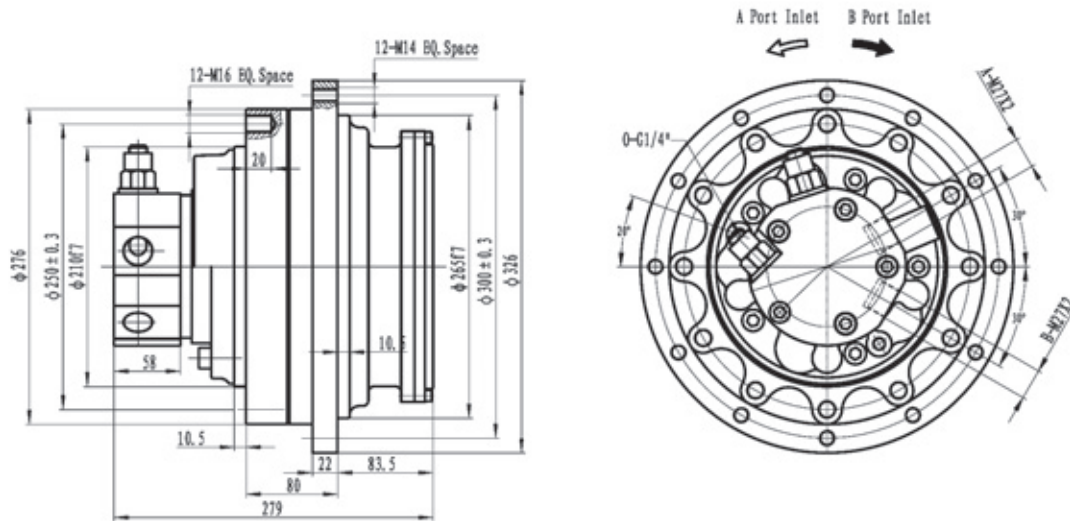


### 3、Options example

IKY34A-6500D240201Z represents that planetary gearbox have two stage, the 1st stage gear module is 3mm and the 2nd stage is 4mm, the serial label is A, nominal total displacement is 6500 cc/rev and distributor model is D240201 with brake.



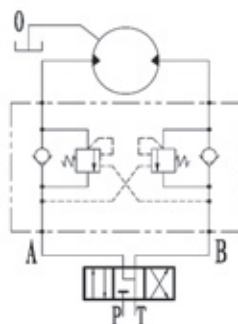
**Dimensions**



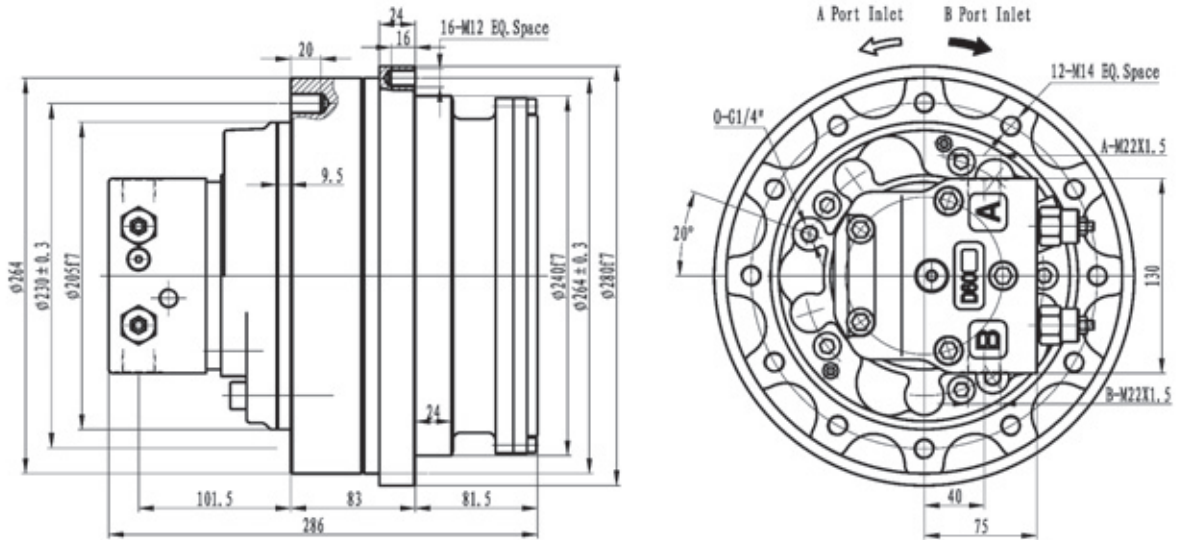
**Specification**

| Model             | Torque (N · m) |      | Speed (rpm) | Ratio | Pressure (MPa) |      | Total Dis. (ml/r) | Hydraulic Motor |             | Weight (Kg) | Application (ton) |
|-------------------|----------------|------|-------------|-------|----------------|------|-------------------|-----------------|-------------|-------------|-------------------|
|                   | Rated          | Max. |             |       | Rated          | Max. |                   | Model           | Dis. (ml/r) |             |                   |
| IKY2.5A-1200D1202 | 3100           | 3880 | 1-90        | 6     | 20             | 25   | 1146              | INM05-200D1202  | 191         | 55          | 4-5               |
| IKY2.5A-1000D1202 | 2670           | 3320 | 1-90        | 6     | 20             | 25   | 996               | INM05-170D1202  | 166         | 55          | 4                 |
| IKY2.5A-900D1202  | 2430           | 3040 | 1-100       | 6     | 20             | 25   | 906               | INM05-150D1202  | 151         | 55          | 3.5               |
| IKY2.5A-800D1202  | 2080           | 2590 | 1-100       | 6     | 20             | 25   | 774               | INM05-130D1202  | 129         | 55          | 3                 |
| IKY2.5A-700D1202  | 1850           | 2300 | 1-100       | 6     | 20             | 25   | 690               | INM05-110D1202  | 115         | 55          | 2.5               |
| IKY2.5A-520D1202  | 1380           | 1730 | 1-110       | 6     | 20             | 25   | 516               | INM05-90D1202   | 86          | 55          | 2                 |
| IKY2.5A-450D1202  | 1190           | 1490 | 1-110       | 6     | 20             | 25   | 444               | INM05-75D1202   | 74          | 55          | 1-2               |
| IKY2.5A-570D1202  | 1550           | 1940 | 1-200       | 3     | 20             | 25   | 573               | INM05-200D1202  | 191         | 60          | 4-5               |
| IKY2.5A-500D1202  | 1335           | 1660 | 1-200       | 3     | 20             | 25   | 498               | INM05-170D1202  | 166         | 60          | 4                 |
| IKY2.5A-450D1202  | 1215           | 1520 | 1-210       | 3     | 20             | 25   | 453               | INM05-150D1202  | 151         | 60          | 3.5               |
| IKY2.5A-390D1202  | 1040           | 1295 | 1-210       | 3     | 20             | 25   | 387               | INM05-130D1202  | 129         | 60          | 3                 |
| IKY2.5A-350D1202  | 925            | 1150 | 1-210       | 3     | 20             | 25   | 345               | INM05-110D1202  | 115         | 60          | 2.5               |
| IKY2.5A-260D1202  | 690            | 865  | 1-230       | 3     | 20             | 25   | 258               | INM05-90D1202   | 86          | 60          | 2                 |
| IKY2.5A-220D1202  | 595            | 745  | 1-230       | 3     | 20             | 25   | 222               | INM05-75D1202   | 74          | 60          | 1-2               |

**Hydraulic Diagram**



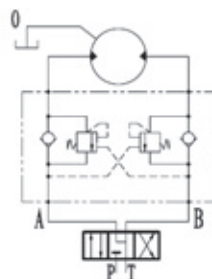
**Dimensions**



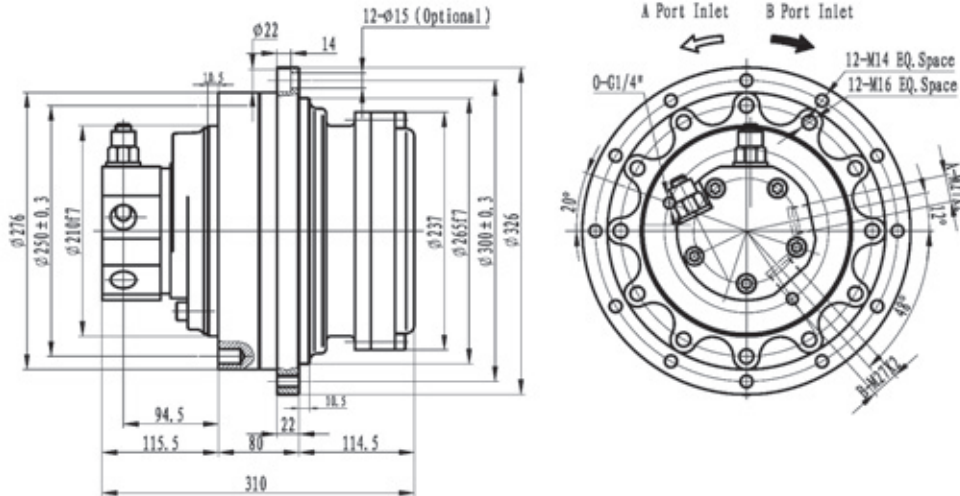
**Specification**

| Model             | Torque (N·m) |      | Speed (rpm) | Ratio | Pressure (MPa) |      | Total Dis. (ml/r) | Hydraulic Motor |             | Weight (Kg) | Application (ton) |
|-------------------|--------------|------|-------------|-------|----------------|------|-------------------|-----------------|-------------|-------------|-------------------|
|                   | Rated        | Max. |             |       | Rated          | Max. |                   | Model           | Dis. (ml/r) |             |                   |
| IKY2.5B-1200D1202 | 3100         | 3880 | 1-90        | 6     | 20             | 25   | 1146              | INM05-200D1202  | 191         | 55          | 4-5               |
| IKY2.5B-1000D1202 | 2670         | 3320 | 1-90        | 6     | 20             | 25   | 996               | INM05-170D1202  | 166         | 55          | 4                 |
| IKY2.5B-900D1202  | 2430         | 3040 | 1-100       | 6     | 20             | 25   | 906               | INM05-150D1202  | 151         | 55          | 3.5               |
| IKY2.5B-800D1202  | 2080         | 2590 | 1-100       | 6     | 20             | 25   | 774               | INM05-130D1202  | 129         | 55          | 3                 |
| IKY2.5B-700D1202  | 1850         | 2300 | 1-100       | 6     | 20             | 25   | 690               | INM05-110D1202  | 115         | 55          | 2.5               |
| IKY2.5B-520D1202  | 1380         | 1730 | 1-110       | 6     | 20             | 25   | 516               | INM05-90D1202   | 86          | 55          | 2                 |
| IKY2.5B-450D1202  | 1190         | 1490 | 1-110       | 6     | 20             | 25   | 444               | INM05-75D1202   | 74          | 55          | 1-2               |
| IKY2.5B-570D1202  | 1550         | 1940 | 1-200       | 3     | 20             | 25   | 573               | INM05-200D1202  | 191         | 60          | 4-5               |
| IKY2.5B-500D1202  | 1335         | 1660 | 1-200       | 3     | 20             | 25   | 498               | INM05-170D1202  | 166         | 60          | 4                 |
| IKY2.5B-450D1202  | 1215         | 1520 | 1-210       | 3     | 20             | 25   | 453               | INM05-150D1202  | 151         | 60          | 3.5               |
| IKY2.5B-390D1202  | 1040         | 1295 | 1-210       | 3     | 20             | 25   | 387               | INM05-130D1202  | 129         | 60          | 3                 |
| IKY2.5B-350D1202  | 925          | 1150 | 1-210       | 3     | 20             | 25   | 345               | INM05-110D1202  | 115         | 60          | 2.5               |
| IKY2.5B-260D1202  | 690          | 865  | 1-230       | 3     | 20             | 25   | 258               | INM05-90D1202   | 86          | 60          | 2                 |
| IKY2.5B-220D1202  | 595          | 745  | 1-230       | 3     | 20             | 25   | 222               | INM05-75D1202   | 74          | 60          | 1-2               |

**Hydraulic Diagram**



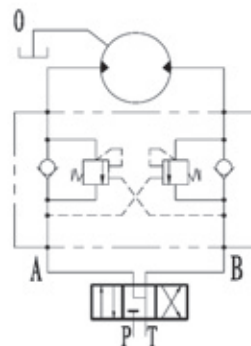
**Dimensions**



**Specification**

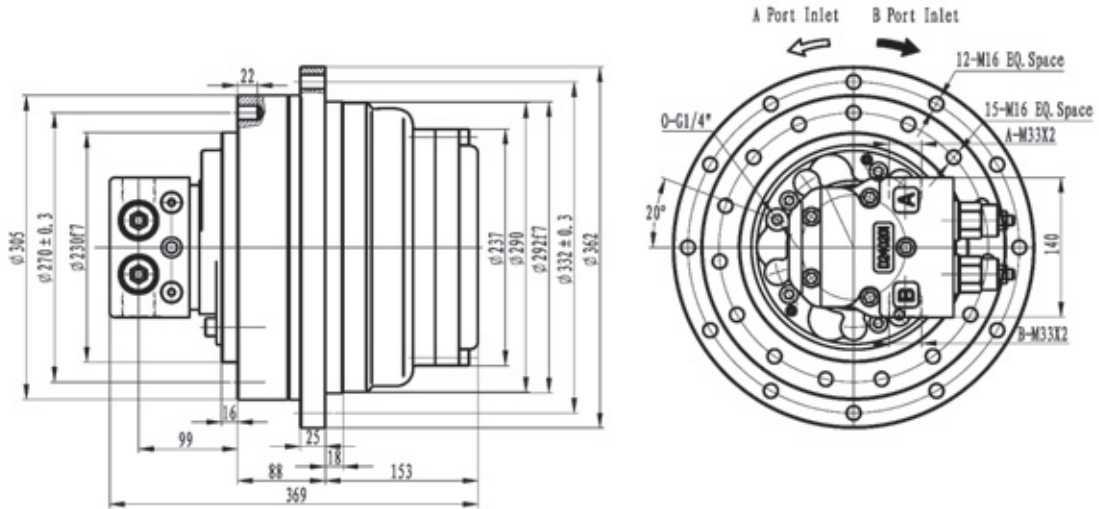
| Model                | Torque (N·m) |      | Speed (rpm) | Ratio | Pressure (MPa) |      | Total Dis. (ml/r) | Hydraulic Motor |             | Weight (Kg) | Application (ton) |               |
|----------------------|--------------|------|-------------|-------|----------------|------|-------------------|-----------------|-------------|-------------|-------------------|---------------|
|                      | Rated        | Max. |             |       | Rated          | Max. |                   | Model           | Dis. (ml/r) |             | Excavator         | Drill machine |
| IKY2.52.5A-3600D1202 | 6000         | 7500 | 0.4-32      | 19    | 14             | 17   | 3629              | INM05-200D1202  | 191         | 80          | 4-6               | 6-8           |
| IKY2.52.5A-3200D1202 | 6000         | 7500 | 0.4-38      | 19    | 16             | 19.5 | 3154              | INM05-170D1202  | 166         | 80          | 4-6               | 6-8           |
| IKY2.52.5A-2900D1202 | 6000         | 7500 | 0.4-42      | 19    | 17             | 21   | 2869              | INM05-150D1202  | 151         | 80          | 4-6               | 6-8           |
| IKY2.52.5A-2500D1202 | 6000         | 7500 | 0.4-46      | 19    | 19             | 24   | 2451              | INM05-130D1202  | 129         | 80          | 4-6               | 6-8           |
| IKY2.52.5A-2200D1202 | 6000         | 7500 | 0.4-50      | 19    | 22             | 28   | 2185              | INM05-110D1202  | 115         | 80          | 4-6               | 6-8           |
| IKY2.52.5A-1600D1202 | 4670         | 5840 | 0.4-58      | 19    | 22             | 28   | 1634              | INM05-90D1202   | 86          | 80          | 4-6               | 6-8           |
| IKY2.52.5A-1400D1202 | 4020         | 5030 | 0.4-63      | 19    | 22             | 28   | 1406              | INM05-75D1202   | 74          | 80          | 4-6               | 6-8           |
| IKY2.52.5A-5200D1202 | 6000         | 7500 | 0.3-23      | 27    | 10             | 13   | 5157              | INM05-200D1202  | 191         | 80          | 4-6               | 6-8           |
| IKY2.52.5A-4500D1202 | 6000         | 7500 | 0.3-27      | 27    | 12             | 15.5 | 4482              | INM05-170D1202  | 166         | 80          | 4-6               | 6-8           |
| IKY2.52.5A-4100D1202 | 6000         | 7500 | 0.3-30      | 27    | 13             | 17   | 4077              | INM05-150D1202  | 151         | 80          | 4-6               | 6-8           |
| IKY2.52.5A-3500D1202 | 6000         | 7500 | 0.3-32      | 27    | 16             | 20.5 | 3483              | INM05-130D1202  | 129         | 80          | 4-6               | 6-8           |

**Hydraulic Diagram**





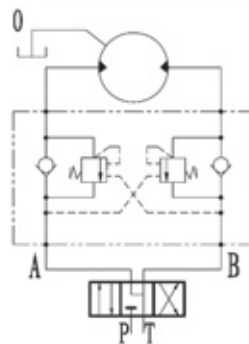
**Dimensions**



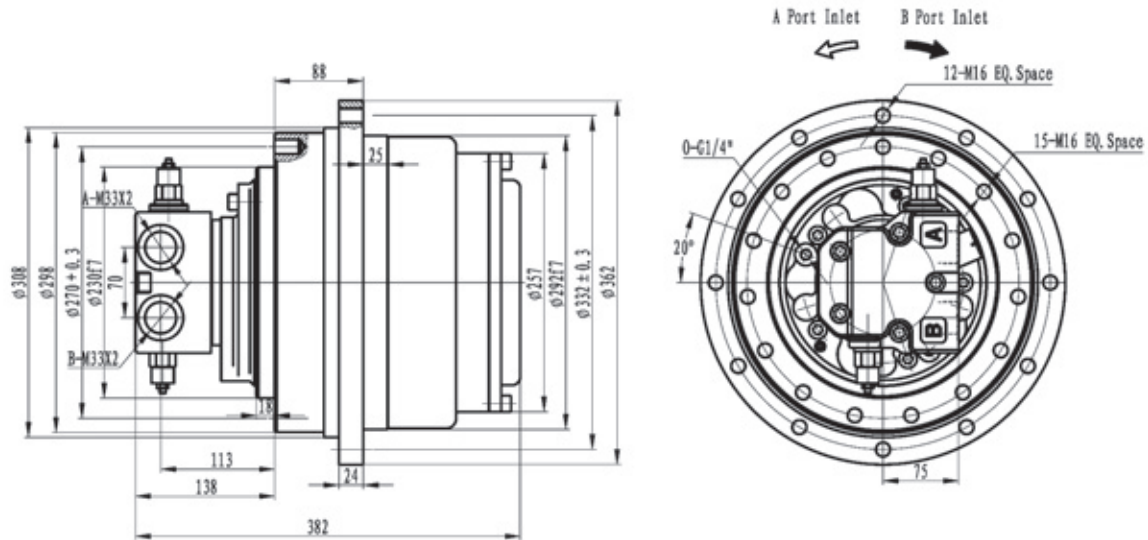
**Specification**

| Model                | Torque (N · m) |       | Speed (rpm) | Ratio | Pressure (MPa) |      | Total Dis. (ml/r) | Hydraulic Motor |             | Weight (Kg) | Application (ton) |
|----------------------|----------------|-------|-------------|-------|----------------|------|-------------------|-----------------|-------------|-------------|-------------------|
|                      | Rated          | Max.  |             |       | Rated          | Max. |                   | Model           | Dis. (ml/r) |             |                   |
| IKY2.52.5B-4600D2402 | 9600           | 12000 | 0.25-32     | 24    | 17             | 21   | 4584              | INM05-200D2402  | 191         | 100         | 8-10              |
| IKY2.52.5B-4000D2402 | 9600           | 12000 | 0.25-33     | 24    | 19             | 23   | 3984              | INM05-170D2402  | 166         | 100         | 8-10              |
| IKY2.52.5B-3600D2402 | 9600           | 12000 | 0.25-36     | 24    | 20             | 25   | 3624              | INM05-150D2402  | 151         | 100         | 8-10              |
| IKY2.52.5B-3100D2402 | 9500           | 12000 | 0.25-42     | 24    | 23             | 29   | 3096              | INM05-130D2402  | 129         | 100         | 8-10              |
| IKY2.52.5B-2800D2402 | 8470           | 10600 | 0.25-45     | 24    | 23             | 29   | 2760              | INM05-110D2402  | 115         | 100         | 8-10              |
| IKY2.52.5B-2100D2402 | 6330           | 7920  | 0.25-50     | 24    | 23             | 29   | 2064              | INM05-90D2402   | 86          | 100         | 8-10              |

**Hydraulic Diagram**



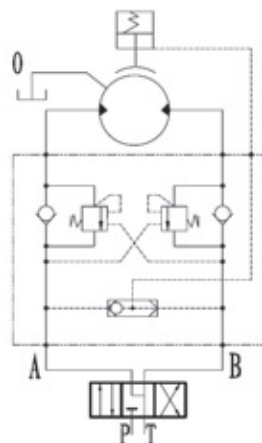
Dimensions



Specification

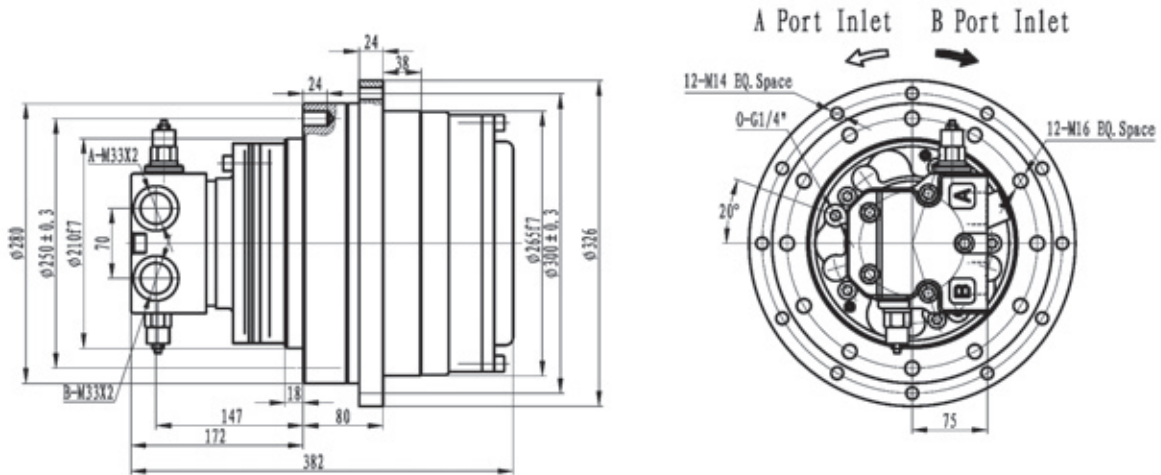
| Model                 | Torque (N · m) |       | Speed (rpm) | Ratio | Pressure (MPa) |      | Total Dis. (ml/r) | Hydraulic Motor  |             | Weight (Kg) | Application (ton) |
|-----------------------|----------------|-------|-------------|-------|----------------|------|-------------------|------------------|-------------|-------------|-------------------|
|                       | Rated          | Max.  |             |       | Rated          | Max. |                   | Model            | Dis. (ml/r) |             |                   |
| IKY2.53A-3600D240201Z | 10000          | 12500 | 0.3-36      | 19    | 21             | 26   | 3629              | INW05-200D240201 | 191         | 110         | 8~10              |
| IKY2.53A-3200D240201Z | 8700           | 10900 | 0.3-40      | 19    | 21             | 26   | 3154              | INW05-170D240201 | 166         | 110         | 8~10              |
| IKY2.53A-2900D240201Z | 8500           | 10600 | 0.3-45      | 19    | 23             | 29   | 2869              | INW05-150D240201 | 151         | 110         | 6~8               |
| IKY2.53A-2500D240201Z | 7260           | 9080  | 0.3-50      | 19    | 23             | 29   | 2451              | INW05-130D240201 | 129         | 110         | 6~8               |
| IKY2.53A-2200D240201Z | 6470           | 8100  | 0.3-55      | 19    | 23             | 29   | 2185              | INW05-110D240201 | 115         | 110         | 6~8               |

Hydraulic Diagram





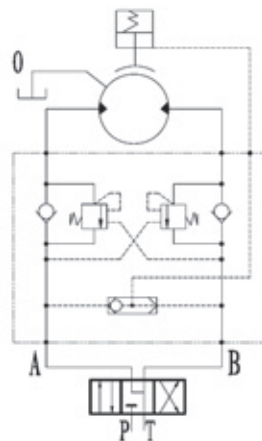
Dimensions



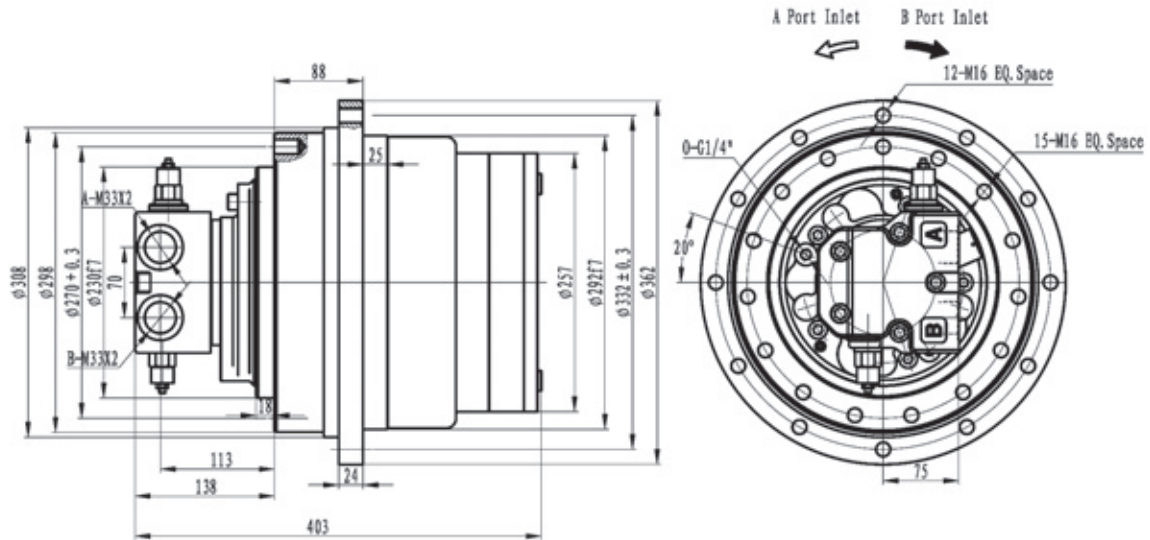
Specification

| Model                 | Torque (N · m) |       | Speed (rpm) | Ratio | Pressure (MPa) |      | Total Dis. (ml/r) | Hydraulic Motor  |             | Weight (Kg) | Application (ton) |
|-----------------------|----------------|-------|-------------|-------|----------------|------|-------------------|------------------|-------------|-------------|-------------------|
|                       | Rated          | Max.  |             |       | Rated          | Max. |                   | Model            | Dis. (ml/r) |             |                   |
| IKY2.53B-2900D240201Z | 8500           | 10600 | 0.3-42      | 19    | 23             | 29   | 2869              | INW05-150D240201 | 151         | 100         | 6-8               |
| IKY2.53B-2500D240201Z | 7260           | 9080  | 0.3-48      | 19    | 23             | 29   | 2451              | INW05-130D240201 | 129         | 100         | 6-8               |
| IKY2.53B-2200D240201Z | 6470           | 8100  | 0.3-55      | 19    | 23             | 29   | 2185              | INW05-110D240201 | 115         | 100         | 6-8               |
| IKY2.53B-1600D240201Z | 4840           | 6050  | 0.3-58      | 19    | 23             | 29   | 1634              | INW05-90D240201  | 86          | 100         | 6-8               |
| IKY2.53B-1400D240201Z | 4160           | 5200  | 0.3-63      | 19    | 23             | 29   | 1406              | INW05-75D240201  | 74          | 100         | 6-8               |

Hydraulic Diagram



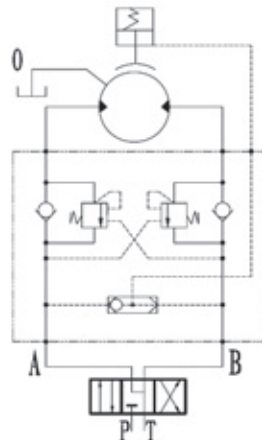
**Dimensions**



**Specification**

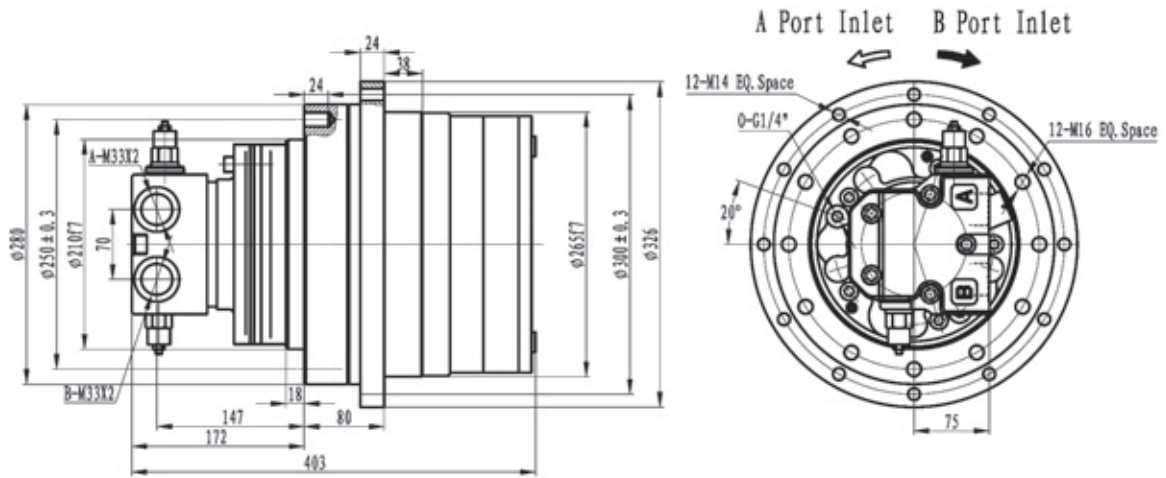
| Model               | Torque (N · m) |       | Speed (rpm) | Ratio | Pressure (MPa) |      | Total Dis. (ml/r) | Hydraulic Motor  |             | Weight (Kg) | Application (ton) |
|---------------------|----------------|-------|-------------|-------|----------------|------|-------------------|------------------|-------------|-------------|-------------------|
|                     | Rated          | Max.  |             |       | Rated          | Max. |                   | Model            | Dis. (ml/r) |             |                   |
| IKY33A-3600D240201Z | 10000          | 12500 | 0.3-36      | 19    | 21             | 26   | 3629              | INMS-2400D240201 | 191         | 110         | 8-10              |
| IKY33A-3200D240201Z | 8700           | 10900 | 0.3-40      | 19    | 21             | 26   | 3154              | INMS-1700D240201 | 166         | 110         | 8-10              |
| IKY33A-2900D240201Z | 8500           | 10600 | 0.3-45      | 19    | 23             | 29   | 2869              | INMS-1500D240201 | 151         | 110         | 6-8               |
| IKY33A-2500D240201Z | 7260           | 9080  | 0.3-50      | 19    | 23             | 29   | 2451              | INMS-1300D240201 | 129         | 110         | 6-8               |
| IKY33A-2200D240201Z | 6470           | 8100  | 0.3-55      | 19    | 23             | 29   | 2185              | INMS-1100D240201 | 115         | 110         | 6-8               |

**Hydraulic Diagram**





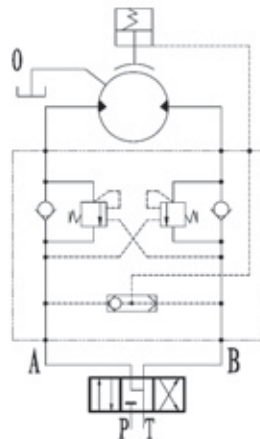
Dimensions



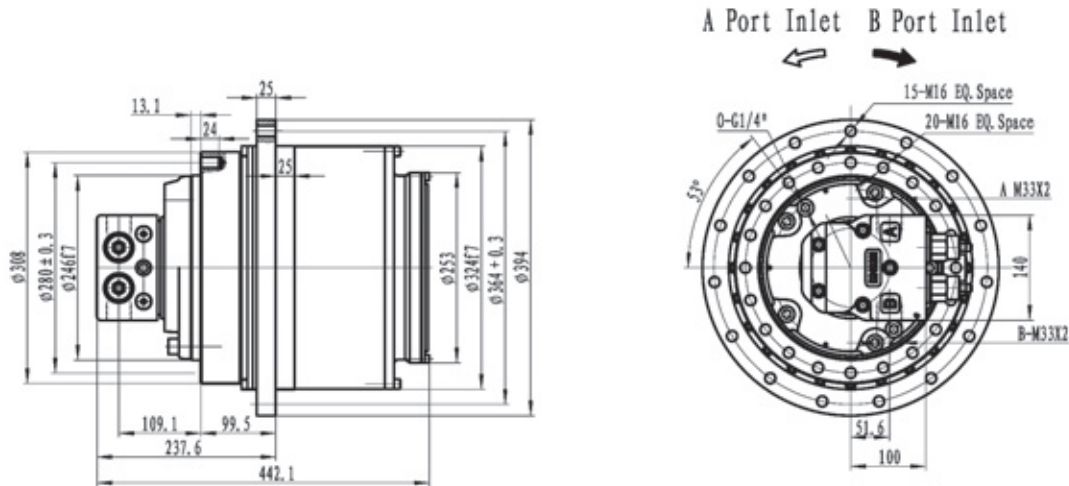
Specification

| Model               | Torque (N · m) |       | Speed (rpm) | Ratio | Pressure (MPa) |      | Total Dis. (ml/r) | Hydraulic Motor  |             | Weight (Kg) | Application (ton) |
|---------------------|----------------|-------|-------------|-------|----------------|------|-------------------|------------------|-------------|-------------|-------------------|
|                     | Rated          | Max.  |             |       | Rated          | Max. |                   | Model            | Dis. (ml/r) |             |                   |
| IKY33B-2900D240201Z | 8500           | 10600 | 0.3-42      | 19    | 23             | 29   | 2869              | TNW05-150D240201 | 151         | 100         | 6-8               |
| IKY33B-2500D240201Z | 7260           | 9080  | 0.3-48      | 19    | 23             | 29   | 2451              | TNW05-130D240201 | 129         | 100         | 6-8               |
| IKY33B-2200D240201Z | 6470           | 8100  | 0.3-55      | 19    | 23             | 29   | 2185              | TNW05-110D240201 | 115         | 100         | 6-8               |
| IKY33B-1600D240201Z | 4840           | 6050  | 0.3-58      | 19    | 23             | 29   | 1634              | TNW05-90D240201  | 86          | 100         | 6-8               |
| IKY33B-1400D240201Z | 4160           | 5200  | 0.3-63      | 19    | 23             | 29   | 1406              | TNW05-75D240201  | 74          | 100         | 6-8               |

Hydraulic Diagram



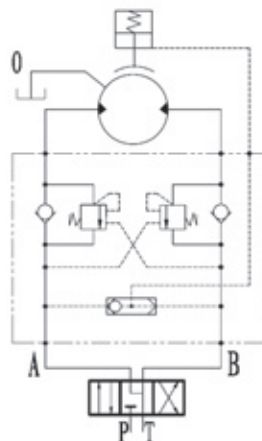
**Dimensions**



**Specification**

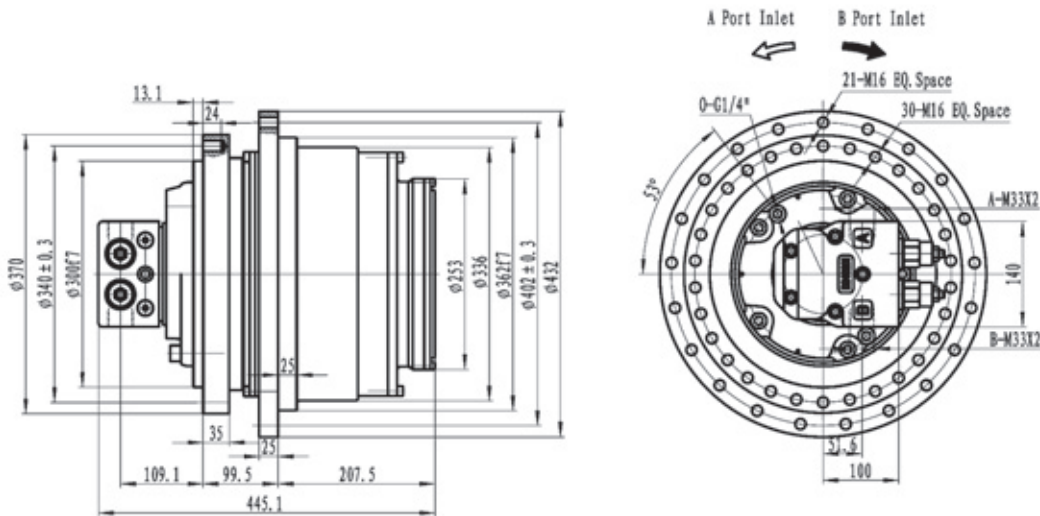
| Model               | Max. Output Torque (N · m) | Speed (r/min) | Ratio | Max. Pressure (MPa) | Total Dis. (ml/r) | Hydraulic Motor |             | Weight (Kg) | Application (ton) |
|---------------------|----------------------------|---------------|-------|---------------------|-------------------|-----------------|-------------|-------------|-------------------|
|                     |                            |               |       |                     |                   | Model           | Dis. (ml/r) |             |                   |
| IKY34A-7500D240201Z | 23000                      | 0.2-29        | 37.5  | 23.5                | 7537.5            | INM1-200D240201 | 201         | 200         | 14 ~ 18           |
| IKY34A-6500D240201Z | 19700                      | 0.2-30        | 37.5  | 23.5                | 6450              | INM1-175D240201 | 172         | 200         | 12 ~ 14           |
| IKY34A-5800D240201Z | 17700                      | 0.2-32        | 37.5  | 23.5                | 5775              | INM1-150D240201 | 154         | 200         | 10 ~ 12           |
| IKY34A-3700D240201Z | 11400                      | 0.2-32        | 37.5  | 23.5                | 3712.5            | INM1-100D240201 | 99          | 200         | 8 ~ 10            |
| IKY34A-5300D240201Z | 16300                      | 0.2-40        | 26.5  | 23.5                | 5326.5            | INM1-200D240201 | 201         | 210         | 12 ~ 14           |
| IKY34A-4400D240201Z | 13600                      | 0.2-42        | 26.5  | 23.5                | 4458              | INM1-175D240201 | 172         | 210         | 10 ~ 12           |
| IKY34A-4100D240201Z | 12500                      | 0.2-45        | 26.5  | 23.5                | 4081              | INM1-150D240201 | 154         | 210         | 8 ~ 10            |

**Hydraulic Diagram**





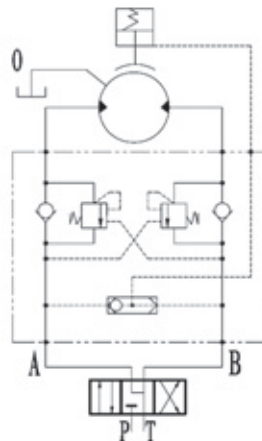
**Dimensions**



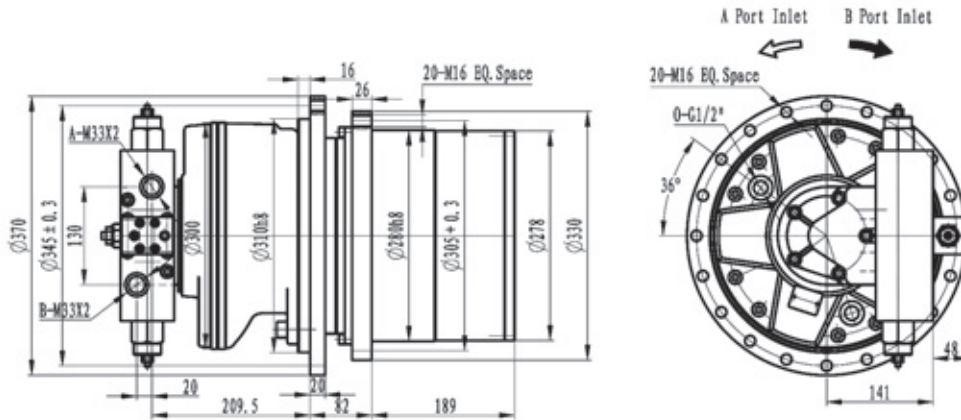
**Specification**

| Model               | Max. Output Torque (N · m) | Speed (r/min) | Ratio | Max. Pressure (MPa) | Total Dis. (ml/r) | Hydraulic Motor |             | Weight (Kg) | Application (ton) |
|---------------------|----------------------------|---------------|-------|---------------------|-------------------|-----------------|-------------|-------------|-------------------|
|                     |                            |               |       |                     |                   | Model           | Dis. (ml/r) |             |                   |
| IKY34B-7500D240201Z | 23000                      | 0.2-29        | 37.5  | 23.5                | 7537.5            | 1NMI-200D240201 | 201         | 240         | 14 ~ 18           |
| IKY34B-6500D240201Z | 19700                      | 0.2-30        | 37.5  | 23.5                | 6450              | 1NMI-175D240201 | 172         | 240         | 12 ~ 14           |
| IKY34B-5800D240201Z | 17700                      | 0.2-32        | 37.5  | 23.5                | 5775              | 1NMI-150D240201 | 154         | 240         | 10 ~ 12           |
| IKY34B-3700D240201Z | 11400                      | 0.2-32        | 37.5  | 23.5                | 3712.5            | 1NMI-100D240201 | 99          | 240         | 8 ~ 10            |
| IKY34B-5300D240201Z | 16300                      | 0.2-40        | 26.5  | 23.5                | 5326.5            | 1NMI-200D240201 | 201         | 250         | 12 ~ 14           |
| IKY34B-4400D240201Z | 13600                      | 0.2-42        | 26.5  | 23.5                | 4458              | 1NMI-175D240201 | 172         | 250         | 10 ~ 12           |
| IKY34B-4100D240201Z | 12500                      | 0.2-45        | 26.5  | 23.5                | 4081              | 1NMI-150D240201 | 154         | 250         | 8 ~ 10            |

**Hydraulic Diagram**



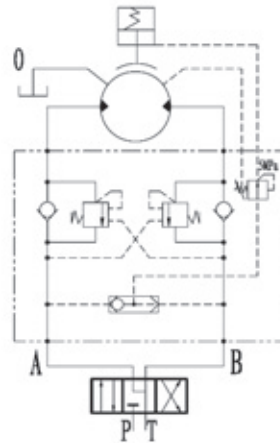
Dimensions



Specification

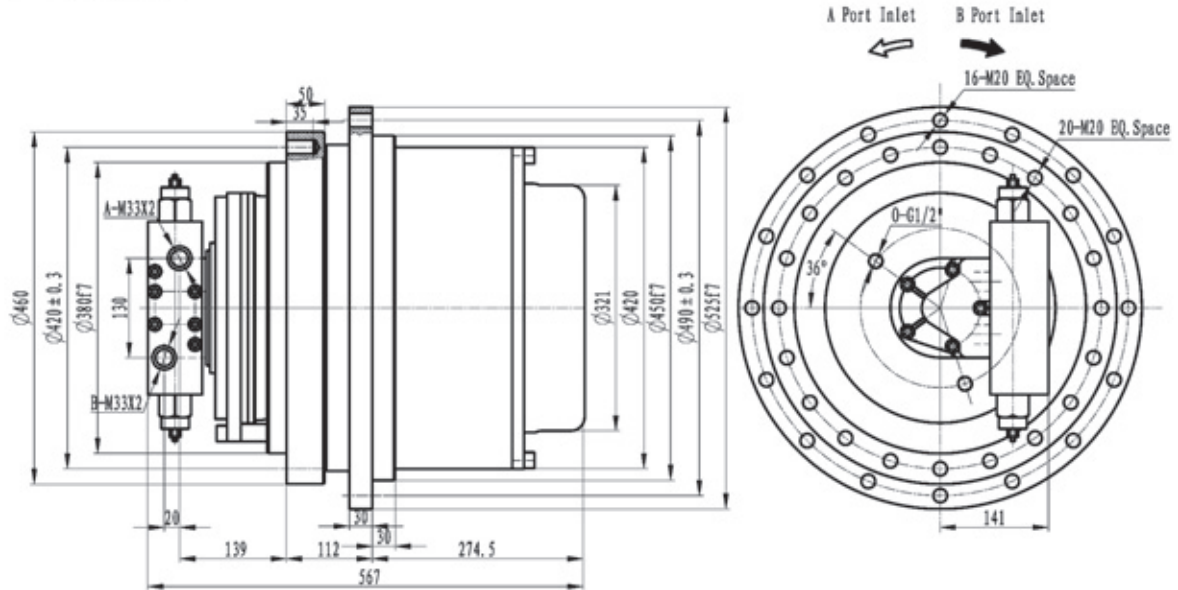
| Model                   | Max. Output Torque (N · m) | Speed (r/min) | Ratio | Max. Pressure (MPa) | Total Dis. (ml/r) | Hydraulic Motor    |             | Weight (Kg) | Application (ton) |
|-------------------------|----------------------------|---------------|-------|---------------------|-------------------|--------------------|-------------|-------------|-------------------|
|                         |                            |               |       |                     |                   | Model              | Dis. (ml/r) |             |                   |
| IKY44A-9600D47F2402011Z | 24000                      | 0.1-30        | 19.4  | 20                  | 9564.2            | 1M2-50047F2402011  | 493         | 200         | 16 ~ 18           |
| IKY44A-8300D47F2402011Z | 21000                      | 0.1-30        | 19.4  | 20                  | 8245              | 1M2-410047F2402011 | 425         | 200         | 14 ~ 16           |
| IKY44A-6800D47F2402011Z | 17000                      | 0.1-30        | 19.4  | 20                  | 6731.8            | 1M2-350047F2402011 | 347         | 200         | 12 ~ 14           |

Hydraulic Diagram





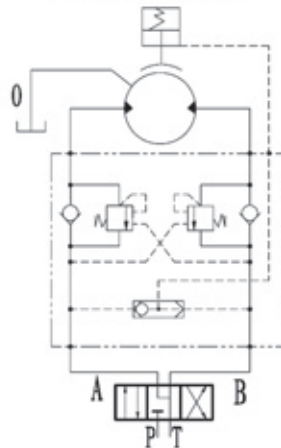
**Dimensions**



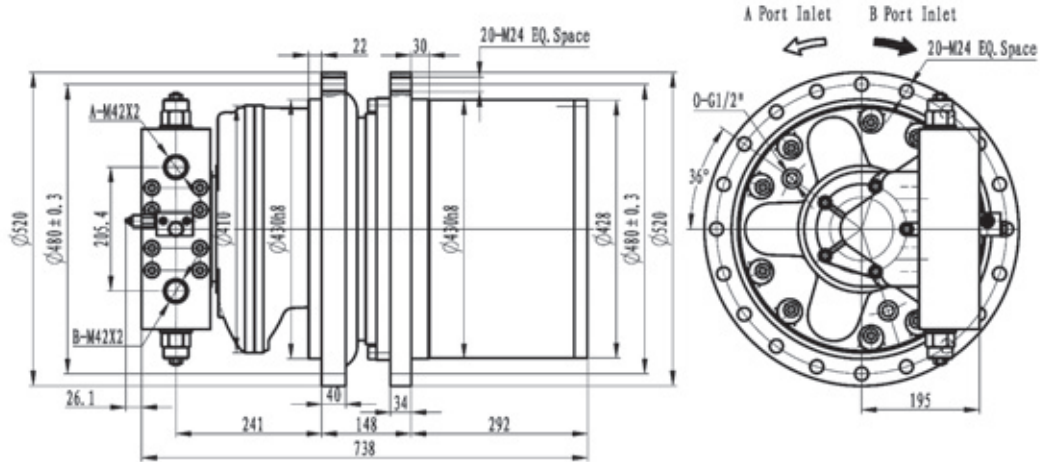
**Specification**

| Model                   | Max. Output Torque (N · m) | Speed (r/min) | Ratio | Max. Pressure (MPa) | Total Dis. (ml/r) | Hydraulic Motor   |             | Weight (Kg) | Application (ton) |
|-------------------------|----------------------------|---------------|-------|---------------------|-------------------|-------------------|-------------|-------------|-------------------|
|                         |                            |               |       |                     |                   | Model             | Dis. (ml/r) |             |                   |
| IKY45A-1600D47F240201Z  | 48000                      | 0.2 - 15      | 37.5  | 23                  | 15937.5           | 1M2-420D47F240201 | 425         | 240         | 24 ~ 30           |
| IKY45A-13000D47F240201Z | 39000                      | 0.2 - 19      | 37.5  | 23                  | 13012.5           | 1M2-350D47F240201 | 347         | 240         | 20 ~ 24           |
| IKY45A-11500D47F240201Z | 34000                      | 0.2 - 21      | 37.5  | 23                  | 11400             | 1M2-300D47F240201 | 304         | 240         | 18 ~ 24           |
| IKY45A-9500D47F240201Z  | 28000                      | 0.2 - 26      | 37.5  | 23                  | 9412.5            | 1M2-250D47F240201 | 251         | 240         | 16 ~ 18           |

**Hydraulic Diagram**



Dimensions



Specification

| Model                    | Max. Output Torque (N·m) | Speed (r/min) | Ratio | Max. Pressure (MPa) | Total Dis. (ml/r) | Hydraulic Motor     |             | Weight (Kg) | Application (ton) |
|--------------------------|--------------------------|---------------|-------|---------------------|-------------------|---------------------|-------------|-------------|-------------------|
|                          |                          |               |       |                     |                   | Model               | Dis. (ml/r) |             |                   |
| IKY66A-26000D9NF4802011Z | 80000                    | 0.1-11        | 19.4  | 24                  | 25530.4           | TM4-1300D9NF4802011 | 1316        | 425         | 50                |
| IKY66A-25000D9NF4802011Z | 75000                    | 0.1-12        | 19.4  | 24                  | 24191.8           | TM4-1200D9NF4802011 | 1250        | 425         | 45                |
| IKY66A-22000D9NF4802011Z | 67000                    | 0.1-14        | 19.4  | 24                  | 21650.4           | TM4-1100D9NF4802011 | 1100        | 425         | 40                |

Hydraulic Diagram

