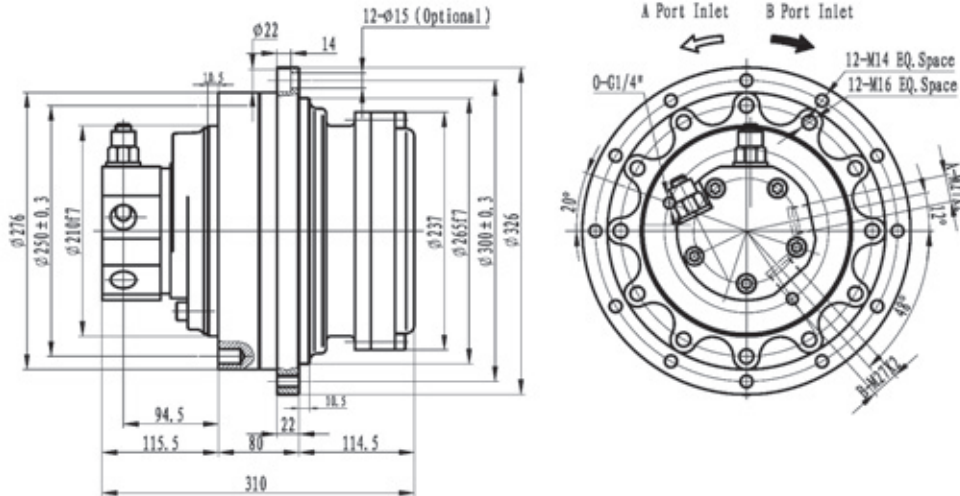


Dimensions



Specification

Model	Torque (N · m)		Speed (rpm)	Ratio	Pressure (MPa)		Total Dis. (ml/r)	Hydraulic Motor		Weight (Kg)	Application (ton) Excavator/Drill machine
	Rated	Max.			Rated	Max.		Model	Dis. (ml/r)		
IKY2.52.5A-3600D1202	6000	7500	0.4-32	19	14	17	3629	INM05-200D1202	191	80	4-6 6-8
IKY2.52.5A-3200D1202	6000	7500	0.4-38	19	16	19.5	3154	INM05-170D1202	166	80	4-6 6-8
IKY2.52.5A-2900D1202	6000	7500	0.4-42	19	17	21	2869	INM05-150D1202	151	80	4-6 6-8
IKY2.52.5A-2500D1202	6000	7500	0.4-46	19	19	24	2451	INM05-130D1202	129	80	4-6 6-8
IKY2.52.5A-2200D1202	6000	7500	0.4-50	19	22	28	2185	INM05-110D1202	115	80	4-6 6-8
IKY2.52.5A-1600D1202	4670	5840	0.4-58	19	22	28	1634	INM05-90D1202	86	80	4-6 6-8
IKY2.52.5A-1400D1202	4020	5030	0.4-63	19	22	28	1406	INM05-75D1202	74	80	4-6 6-8
IKY2.52.5A-5200D1202	6000	7500	0.3-23	27	10	13	5157	INM05-200D1202	191	80	4-6 6-8
IKY2.52.5A-4500D1202	6000	7500	0.3-27	27	12	15.5	4482	INM05-170D1202	166	80	4-6 6-8
IKY2.52.5A-4100D1202	6000	7500	0.3-30	27	13	17	4077	INM05-150D1202	151	80	4-6 6-8
IKY2.52.5A-3500D1202	6000	7500	0.3-32	27	16	20.5	3483	INM05-130D1202	129	80	4-6 6-8

Hydraulic Diagram

